

DIMENSIONS AND WEIGHTS

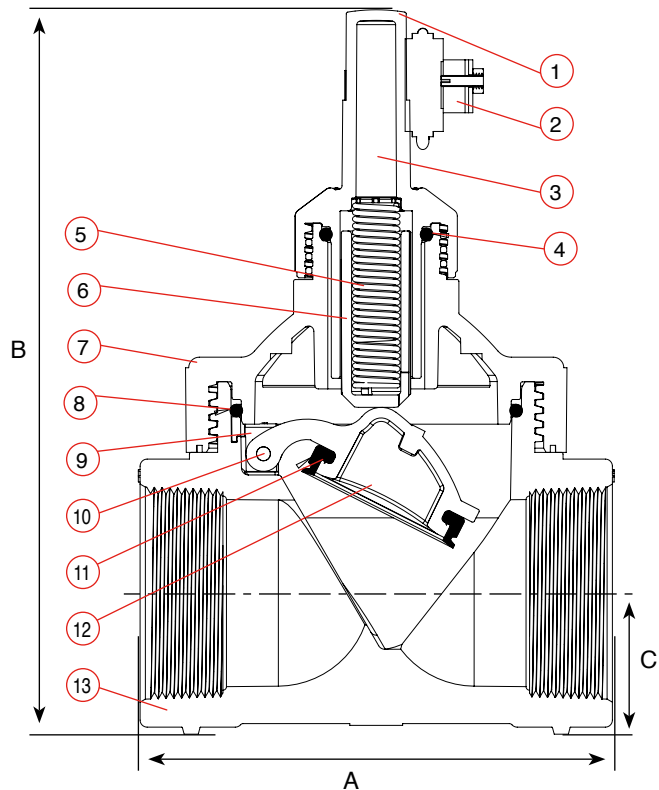
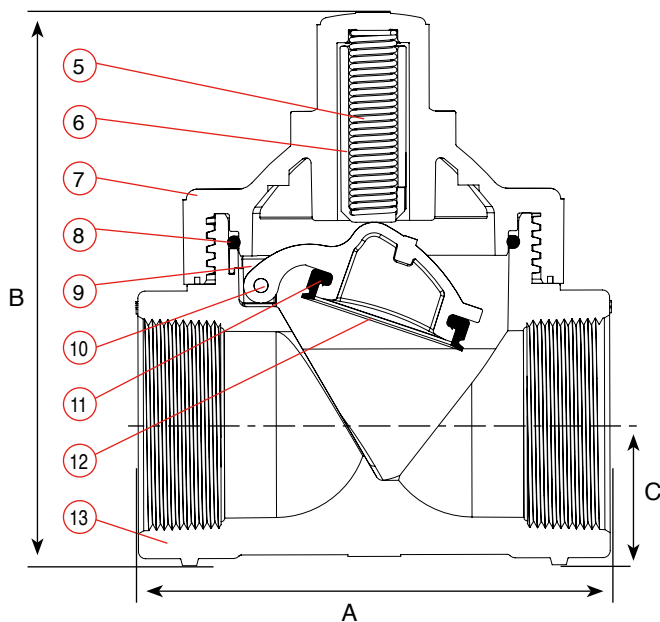
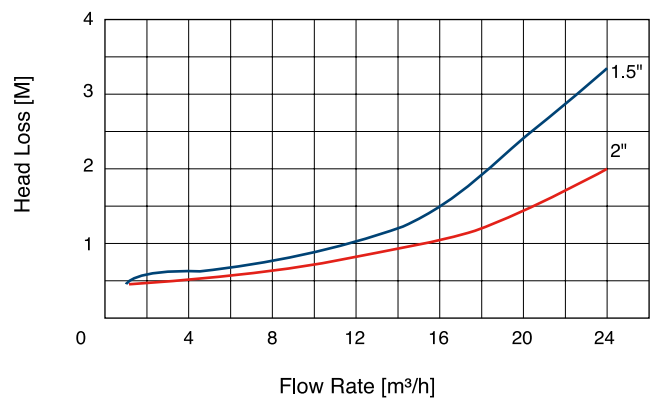
Nominal Size	Dimensions mm			Weight Gr.
	A	B	C	
NR-010 1½"	134	149	34.5	605
NR-010 LS 1½"	134	197	34.5	635
NR-010 2"	134	157	40	620
NR-010 LS 2"	134	205	40	650



PARTS LIST AND SPECIFICATION

No.	Part	Material
1.	Magnet Cover	Reinforced Nylon
2.	Reed Switch Sensor	
3.	Magnet Shaft	Acetal + Steel
4.	O-Ring	BUNA-N
5.	Spring	Stainless Steel SAE 302
6.	Spring Housing	Acetal
7.	Cover	Reinforced Nylon
8.	O-Ring	BUNA-N
9.	Shaft Housing	Acetal
10.	Shaft	Stainless Steel SAE 316
11.	Seal	E.P.D.M.
12.	Disc	Reinforced Nylon
13.	Body	Reinforced Nylon

HEAD LOSS



DIMENSIONS AND WEIGHTS

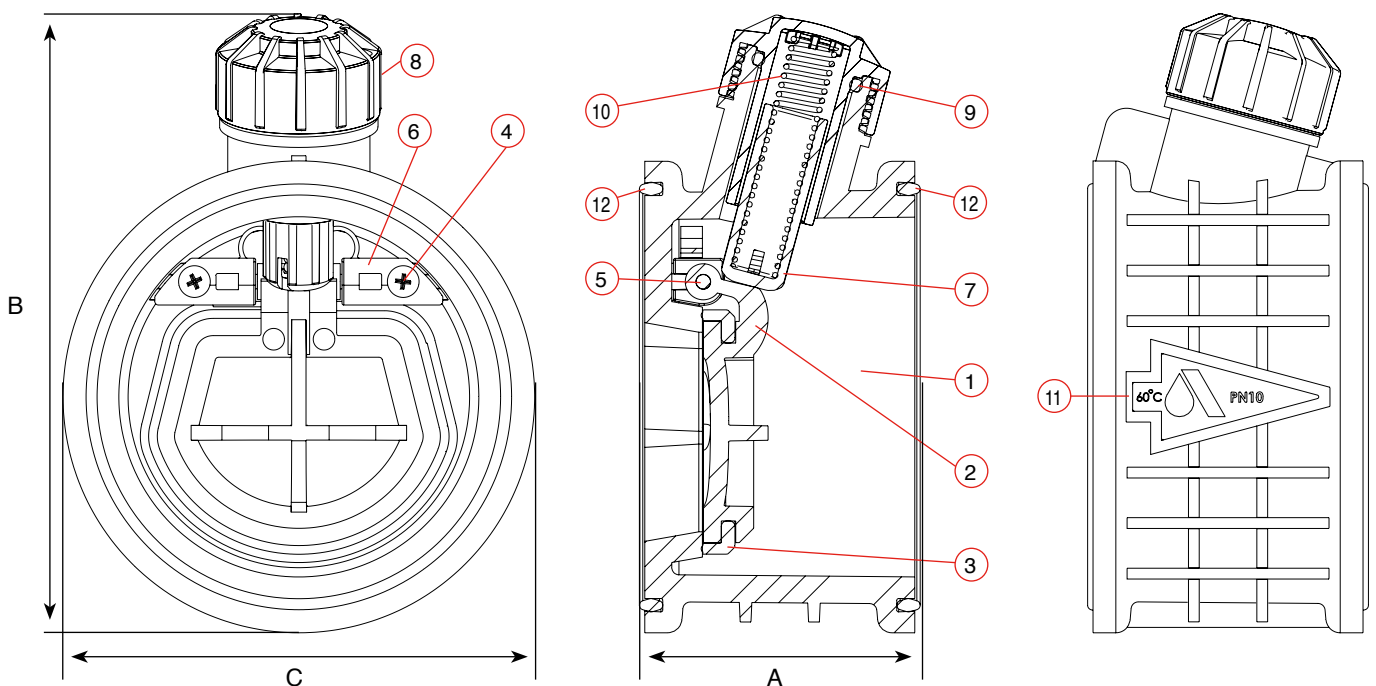
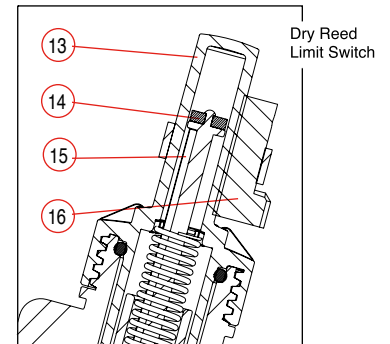
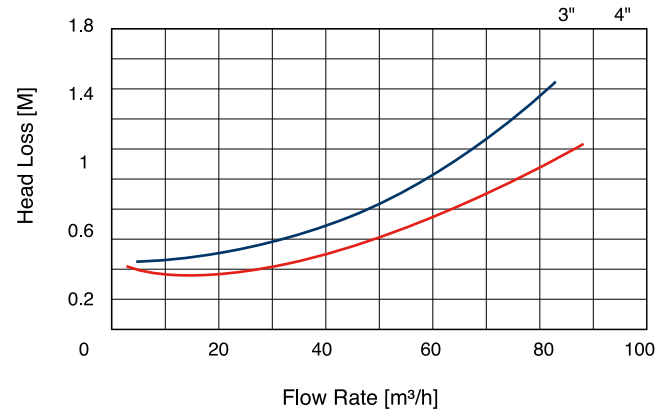
Nominal Size	Dimensions mm			Weight Gr.
	A	B	C	
NR -010 3"	75	172	132	571
NR -010 LS 3"	75	219	132	580
NR-010 4"	85	191	151	732
NR-010 LS 4"	85	238	151	740



PARTS LIST AND SPECIFICATION

No.	Part	Material
1.	Body	Reinforced Nylon
2.	Disc	Reinforced Nylon
3.	Seal	E.P.D.M.
4.	Bolt (x2)	Stainless Steel SAE 304
5.	Shaft	Stainless Steel SAE 316
6.	Shaft Housing	Acetal
7.	Spring Housing	Acetal
8.	Spring Cover	Reinforced Nylon
9.	O-Ring	BUNA-N
10.	Spring	Stainless Steel SAE 302
11.	Directional Arrow	Polypropylene
12.	Flange Seals	E.P.D.M.
13.	Magnet Cover	Reinforced Nylon
14.	Magnet (x3)	
15.	Magnet Shaft	Acetal
16.	Dry Reed Limit Switch	

HEAD LOSS



DIMENSIONS AND WEIGHTS

Nominal Size	Dimensions mm			Weight Kg.
	A	B	C	
6"	107	291	220	2.6
LS 6"	175	380	220	3.1
8"	132	323	259	3.7
LS 8"	170	413	259	4.3
10"	145	376	310	5.2
LS 10"	175	465	310	5.7



PARTS LIST AND SPECIFICATION

No.	Part	Material
1.	Spring Cover	Reinforced Nylon
2.	O-Ring	BUNA-N
3.	Flange Seals	E.P.D.M.
4.	Body	Reinforced Nylon
5.	Spring	Stainless Steel SAE 302
6.	Spring Housing	Acetal
7.	Shaft	Stainless Steel SAE 316
8.	Flap Seal	E.P.D.M.
9.	Flap	Reinforced Nylon
10.	Shaft Housing	Acetal
11.	Bolt (x2)	Stainless Steel SAE 304
12.	Directional Arrow	Polypropylene
13.	Limit Switch Assembly	
14.	Position Indicator Stem	Stainless Steel SAE 316
15.	O-Ring	BUNA-N
16.	Nut	Reinforced Nylon

HEAD LOSS

